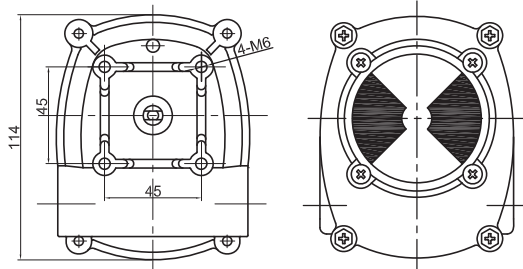
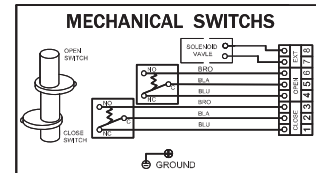
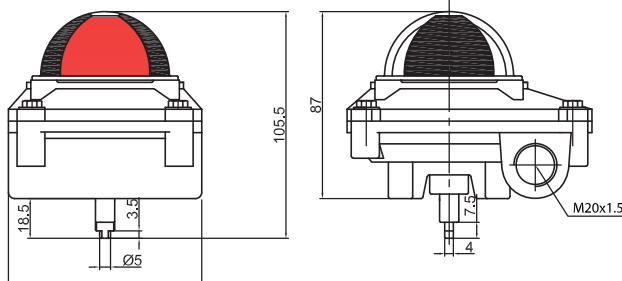


SWITCHBOX



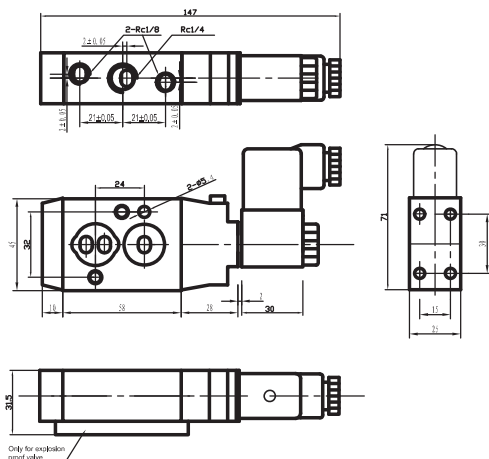
S-200 SWITCHBOXES

- 2xSPDT micro-switch, SA 125/250VAC,0.2A 125VDC.
- Aluminium alloy +epoxy coated body.
- Dome type openclose indicator;
- 2 X 1/2"electric entry, IP67 enclosure;
- Universal bracket. Bolts shaft bracket is 304SS



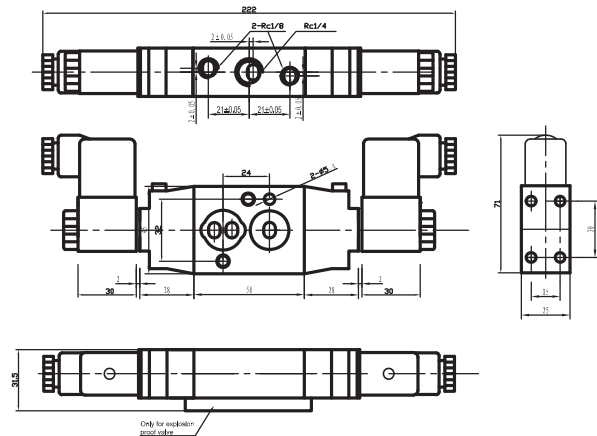
2x SPDT wiring diagram

SOLENOID



S-310 SOLENOID VALVE

- Aluminum alloy body with hard anodized treatment;
- NAMUR mounting, 5/2 3/2 way, IP65 enclosure;
- 1/4" air conn., electric entry: socket with plug;
- Amisco single coil, Voltage: 24VDC.



S-320 SOLENOID VALVE

- Aluminum alloy body with hard anodized treatment;
- NAMUR mounting, 5/2 3/2 way, IP65 enclosure;
- 1/4" air conn., electric entry: socket with plug;
- Amisco double coil, Voltage: 24VDC.